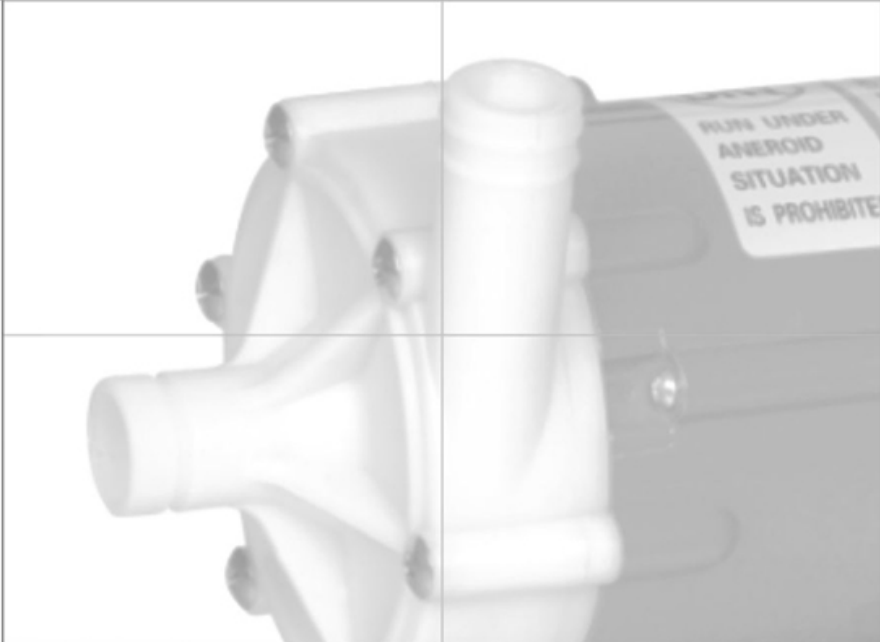




V I G

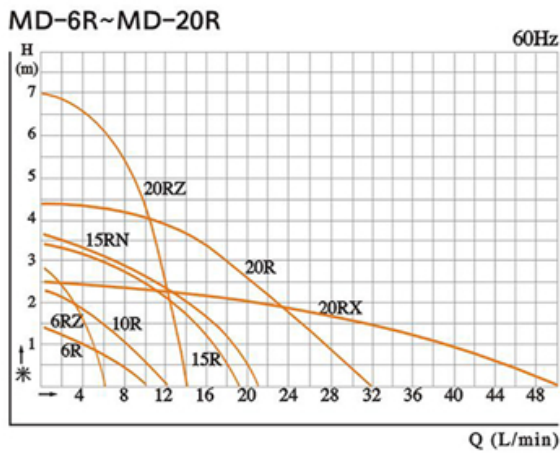


MAGNET PUMP

VORTEX GAS PUMP



PERFORMANCE CURVE



MD-15R



MD-20R



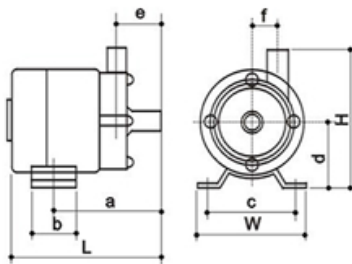
MD-20RZ



MD-20RX

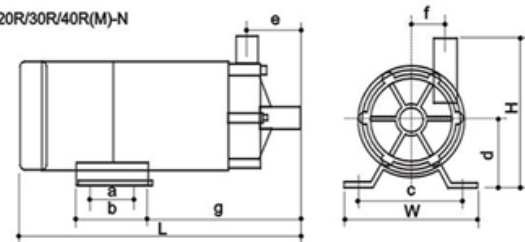
DIMENSIONS

MD Series
MD-6/10



Type	W	H	L	a	b	c	d	e	f
MD-6	74	92	104	73	30	60	45	31	17
MD-10	74	92	104	73	30	60	45	31	17

MD-15R/20R/30R/40R(M)-N



Type	W	H	L	a	b	c	d	e	f	g
MD-15R(M)-N	95	109 (114)	179.5 (179)	-	50	68	55	39 (38.5)	21.5	92
MD-20R(M)-N	120	136 (138.3)	208.5 (209)	40	64	100	60	38.5 (38)	28.5	99.5 (99)
MD-30R(M)-N	120	130	248	40	64	100	60	48	31	137
MD-40R(M)-N	120	130	250	40	64	100	60	48	31	137

SPECIFICATION

Type	Tube interface		Spiral interface		Max. capacity L/min	Max. head m	Standard outlet m-L/min	Temperature °C	Specific weight	Motor		
	Inlet	Outlet	Outlet-inlet (inch)	Tube						Input W	Output W	Phase
MD-6	14mm	14mm	-	-	8	1	0.8-2.8	0-80	1.2	3	22	1
MD-6Z	14mm	14mm	-	-	5.5	2.1	1.5-3.2	0-80	1.1	3	24	1
MD-10	14mm	14mm	-	-	11	1.5	1-5	0-75	1.1	6	35	1
MD-15R	14mm	14mm	G 3/4	13mm	16	2.4	1.5-8	0-80	1.3	10	26	1
MD-20R	18mm	18mm	G 3/4	16mm	27	3.1	2-17	0-80	1.1	20	40	1
MD-20RX	26mm	26mm	G 1	20mm	46	1.8	1-30	0-80	1.3	20	40	1
MD-20RZ	18mm	18mm	G 3/4	13mm	10	4.9	4-6	0-80	1.1	20	40	1



MD-30R



MD-30RM



MD-30RZ



MD-30RX



MD-40R



MD-40RM



MD-40RX



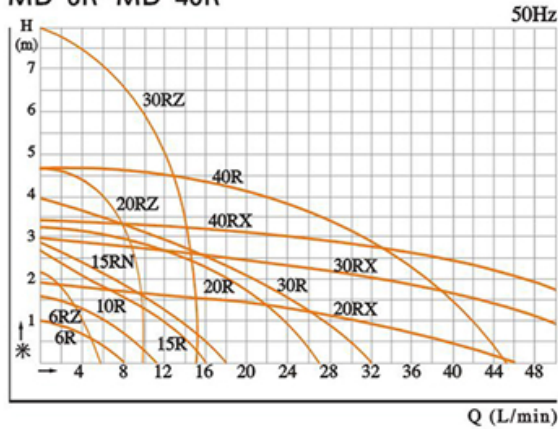
MD-55R



MD-55RM

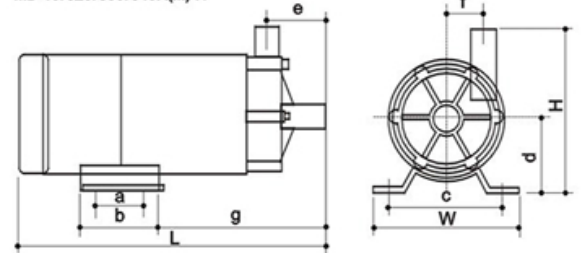
PERFORMANCE CURVE

MD-6R~MD-40R



DIMENSIONS

MD-15R/20R/30R/40R(M)-N



Type	W	H	L	a	b	c	d	e	f	g
MD-15R(M)-N	95	109 (114)	179.5 (179)	-	50	68	55	39 (38.5)	21.5	92
MD-20R(M)-N	120	108 (106.3)	208.5 (203)	40	64	100	60	38.5 (33)	28.5	93.5 (89)
MD-30R(M)-N	120	130	248	40	64	100	60	48	31	137
MD-40R(M)-N	120	130	250	40	64	100	60	48	31	137

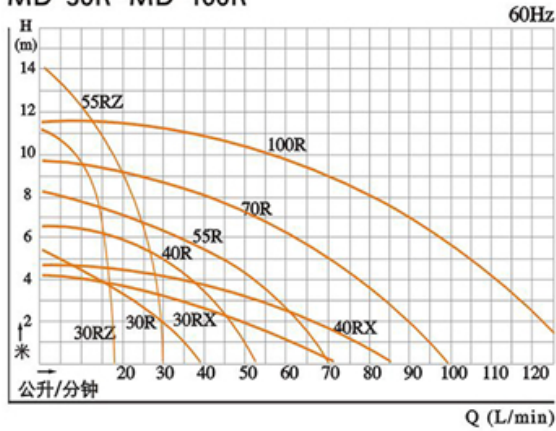
SPECIFICATION

Type	Tube interface		Spiral interface		Max. capacity L/min	Max. head m	Standard outlet m-L/min	Temperature °C	Specific weight	Motor		
	Inlet	Outlet	Outlet-Inlet (inch)	Tube						Input W	Output W	Phase
MD-30R	20mm	20mm	G 3/4	16mm	32	3.8	2.5-16	0-80	1.3	45	60	1
MD-30R(M)	20mm	20mm	G 3/4	16mm	32	3.8	2.5-16	0-80	1.3	45	60	1
MD-30RX	26mm	26mm	G 1	20mm	62	2.9	2-32	0-80	1.1	45	70	1
MD-30RZ	18mm	18mm	G 3/4	13mm	15	8	6-10	0-80	1.0	45	70	1
MD-40R	20mm	20mm	G 3/4	16mm	45	4.6	4-22	0-80	1.1	65	90	1
MD-40R(M)	20mm	20mm	G 3/4	16mm	45	4.6	4-22	0-80	1.1	65	90	1
MD-40RX	26mm	26mm	G 1	20mm	75	3.3	2-47	0-80	1.1	65	85	1
MD-40RZ	22mm	22mm	G 3/4	16mm	22	10	8-10	0-80	1.1	65	110	1
MD-40RZ	22mm	22mm	G 3/4	16mm	12	11.5	10-8	0-80	1.1	65	110	1
MD-55R	26mm	26mm	G 1	20mm	60	5.6	4-30	0-80	1.2	90	130	1
MD-55R(M)	26mm	26mm	G 1	20mm	60	5.6	4-30	0-80	1.2	90	130	1



PERFORMANCE CURVE

MD-30R~MD-100R



MD-70R



MD-70RM



MD-70RZ



MD-100R



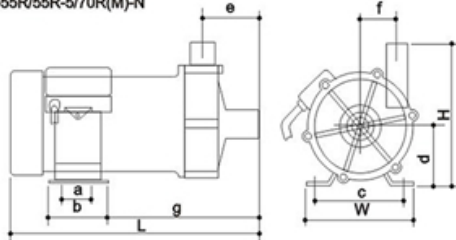
MD-100RM

Note:

- Under the condition of normal temperature and clean water, the head at the maximum capacity is 0; the capacity at the highest head is 0.
- Operating voltage of single-phase motor is separated with 100V, 110V, 200V, 240V; operating voltage of three-phase motor is 380V.
- Normal operating temperature is 0~80 °C. If the higher operating environment is required, please consult with us.

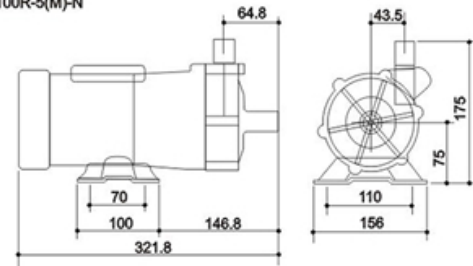
DIMENSIONS

MD-55R/55R-5/70R(M)-N



Type	W	H	L	a	b	c	d	e	f	g
MD-55R(M)	120	155	273.5	40	64	100	65	81.5 (80.5)	40	149.5
MD-55R-5(M)	120	155	273.5	40	64	100	65	81.5 (80.5)	40	149.5
MD-70R(M)	130	155	258	40	60	110	65	53	43	149

MD-100R/100R-5(M)-N



SPECIFICATION

Type	Tube interface		Spiral interface		Max. capacity L/min	Max. head m	Standard outlet m-L/min	Temperature °C	Specific weight	Motor		
	Inlet	Outlet	Outlet-inlet (inch)	Tube						Input W	Output W	Phase
MD-70R	26mm	26mm	G 1	20mm	86	6.7	4-50	0-80	1.0	150	265	1 or 3
MD-70R(M)	26mm	26mm	G 1	20mm	86	6.7	4-50	0-80	1.0	150	265	1 or 3
MD-70RZ	20mm	20mm	G 3/4	16mm	40	14.3	12-24	0-80	1.0	180	275	1 or 3
MD-100R	26mm	26mm	G 1	20mm	120	8.6	6.5-60	0-80	1.2	260	365	1 or 3
MD-100R(M)	26mm	26mm	G 1	20mm	120	8.6	6.5-60	0-80	1.2	260	365	1 or 3



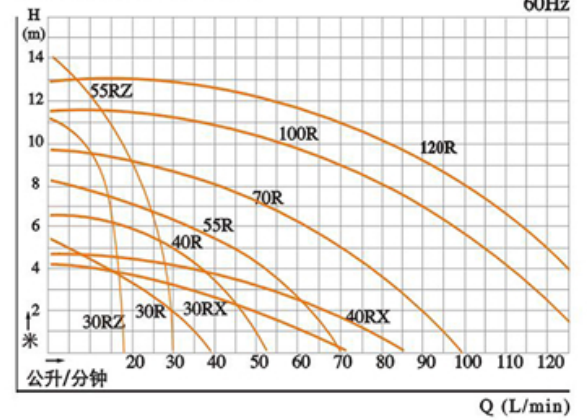
MD-120R



MX-400

PERFORMANCE CURVE

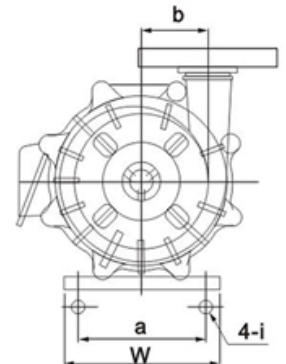
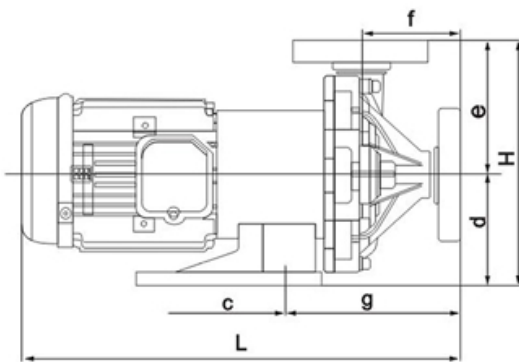
MD-30R~MD-100R



Note:

- Under the condition of normal temperature and clean water, the head at the maximum capacity is 0; the capacity at the highest head is 0.
- Operating voltage of single-phase motor is separated with 100V, 110V, 200V, 240V; operating voltage of three-phase motor is 380V.
- Normal operating temperature is 0~80 °C. If the higher operating environment is required, please consult with us.

DIMENSIONS



SPECIFICATION

Type	Tube interface		Outlet-inlet (inch)	Max. capacity L/min	Max. head m	Standard outlet m-L/min	Temperature °C	Specific weight	Motor		
	Inlet	Outlet							Input W	Output W	Phase
MD-120R	40mm	40mm	G1½	150	8.5	20-100	0-80	1.2	270	370	3
MX-400	40mm	40mm	G1½	200	10.5	50-150	0-80	1.2	300	400	3