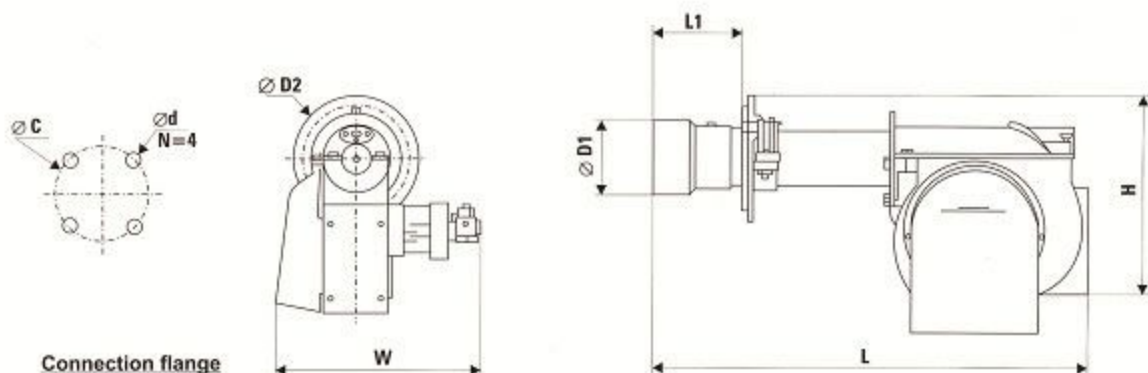


Burner Type: E3&E4



Burner Dimension

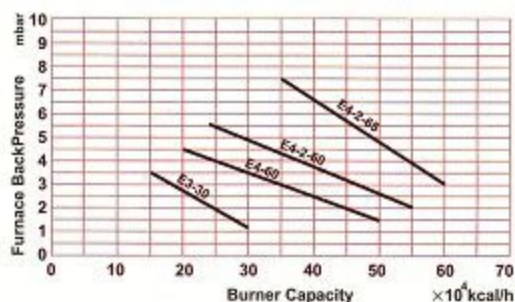


Burner Type	H mm	L mm	W mm	L1 mm	$\varnothing D1$ mm	$\varnothing D2$ mm	$\varnothing C$ mm	$\varnothing d$ mm	N	Description
EL 3-30	410	740	410	140-240	165	245	200	18	4	
EG 3-30	400	805	430	140-240	165	245	200	18	4	Without double shell
EL 4- ...	400	920	480	140-465	165	245	200	18	4	
EG 4-...	400	920	480	140-465	165	245	200	18	4	Without double shell
EG4, EGL4-...	405	890	405	120	170	265	220	18	4	With shell

Specifications

Burner Type	Max. Fuel Consumption		Motor w	Fan Flow rate m ³ /h	Pump Lit/h
	Kg/h Oil	m ³ /h Gas			
EL 3-30	30		300	490	50
EG 3-30		32	250	490	
EL 4-60	45		370	700	60
EG 4-60		47	370	700	
EL 4-2-60	50		600	800	90
EG 4-2-60		52	550	800	
EL 4-2-65	60		600	900	110
EG 4-2-65		62.5	550	900	

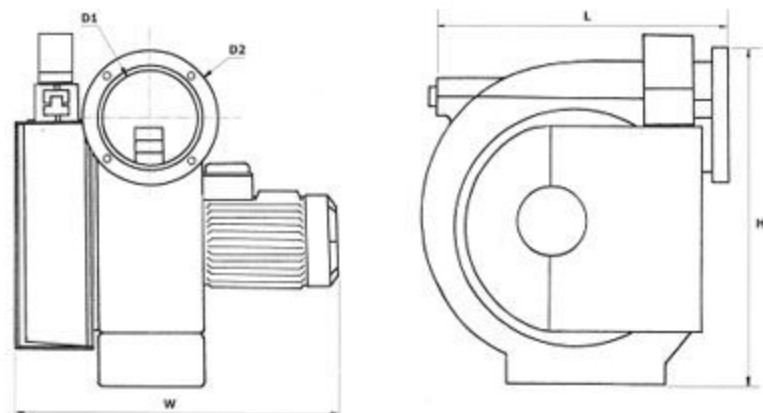
Capacity Curve at 5000 ft. above sea level



۰۲۱-۸۸۸۳۰۰۳۱
۰۲۱-۸۸۸۳۰۰۳۲



Blower Type : BE , BMF , BUD



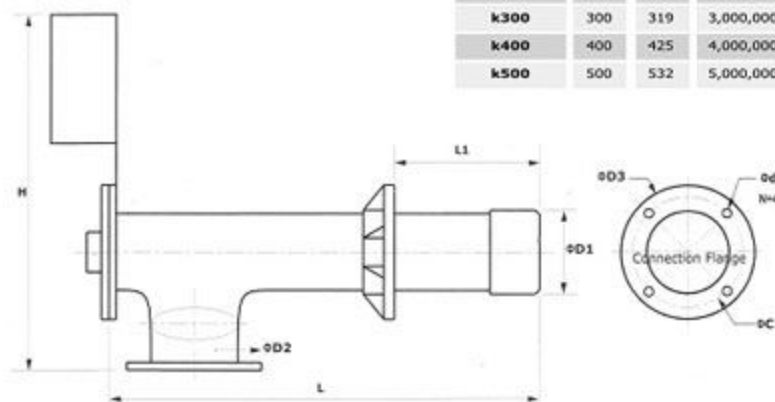
Blower Type	Motor	Fan Capacity	Fan Pressure
	KW	m ³ /h	mmH ₂ O
BE3	0.370	450	40
BE4	0.550	700	60
BMF100-100	1.1	1030	80
BMF100-140	2.2	1300	100
BUD150-1	3	1500	130
BUD150-2	3	1800	130
BUD250-1	4	2200	150
BUD250-2	5.5	2800	150
BUD350	7.5	4200	170
BMF500	11	5200	210
BMF700	15	8500	210
BMF800	18.5	10800	230
BMF900	18.5	12000	250
BMF1000	22	13500	280
BMF1100	30	15000	300

Blower Type	Dimension				
	H mm	W mm	L mm	D1 mm	D2 mm
BE3	360	430	345	135	180
BE4	360	430	345	135	180
BMF100-100	440	555	590	160	300
BMF100-140	440	555	590	190	300
BUD150-1	630	600	525	170	260
BUD150-2	630	600	525	190	260
BUD250-1	740	720	680	220	320
BUD250-2	740	720	680	220	320
BUD350	830	800	740	240	340
BMF500	940	900	900	200x370	350x470
BMF700	940	900	900	200x370	350x470
BMF800	960	1000	900	250x370	400x500
BMF900	960	1000	900	250x370	400x500
BMF1000	1025	1100	900	250x410	400x500
BMF1100	1025	1170	900	250x410	400x500



Blower Type : K

Burner Type	Capacity Range		Burner Capacity
	kg/h Oil	m ³ /h Gas	Kcal/h
k10	10	11	100,000
k20	20	21	200,000
k30	30	32	300,000
k60	60	64	600,000
k80	80	85	800,000
k100	100	106	1,000,000
k150	150	160	1,500,000
k200	200	213	2,000,000
k250	250	266	2,500,000
k300	300	319	3,000,000
k400	400	425	4,000,000
k500	500	532	5,000,000



Blower Type	Dimension								
	H mm	L mm	L1 mm	ØD1 mm	ØD2 mm(in)	ØD3 mm	ØC mm	ØD mm	N
K10	620	480	60-280	115	50(2)	195	163	14	4
K20	620	480	60-280	115	65(2)	195	163	14	4
K30	620	480	60-280	115	80(3)	195	163	14	4
K60	440	650	140-350	156	125(5)	245	200	16	4
K80	460	740	190-400	190	150(6)	290	240	16	4
K100	560	970	190-400	245	200(8)	360	320	18	4

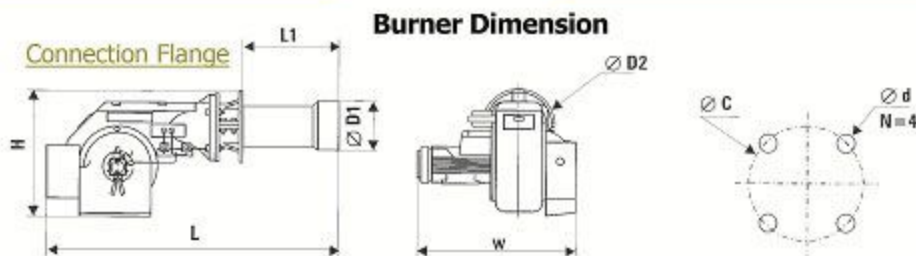
ظرفیت های بالاتر از K100 طبق سفارش ساخته می شود .

Burner Type : MF100



Mashal Kaveh

www.mashalkaveh.ir



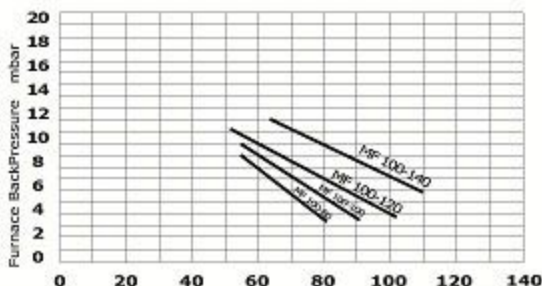
Burner Type	H mm	L mm	W mm	L1 mm	∅D1 mm	∅D2 mm	∅C mm	∅d mm	N	Dimension
MFL 100 - 80	460	800	630	250	190	300	270	12	4	Wire Box
MFL 100 - 80	460	860	650	250	190	300	270	12	4	Control Panel
MFG 100 - 80	460	800	650	250	190	300	270	12	4	Wire box
MFG 100 - 80	460	800	700	250	190	300	270	12	4	Control Panel
MFL 100 - 100	460	800	630	250	190	300	270	12	4	Wire Box
MFL 100 - 120	460	860	650	250	190	300	270	12	4	Control Panel
MFL 100 - 100	460	800	650	250	190	300	270	12	4	Wire box
MFG 100 - 100	460	800	700	250	190	300	270	12	4	Control Panel
MFL 100 - 100	460	800	650	250	190	300	270	12	4	Wire box
MFG 100 - 120	460	800	700	250	190	300	270	12	4	Control Panel
MFL 100 - 140	460	800	660	250	226	300	270	12	4	Wire box
MFS 100 - 140	460	860	660	250	226	300	270	12	4	Control Panel
MFL 100 - 140	460	1050	660	120-335	226	300	270	14	4	Wire box
MFS 100 - 140	460	1000	660	120-335	226	300	270	14	4	Control Panel
MFL 100 - 140	460	800	660	250	226	300	270	12	4	Wire Box
MFG 100 - 140	460	860	720	250	226	300	270	12	4	Control Panel
MFL 100 - 140	460	860	660	140	226	300	270	14	4	Wire Box
MFGS 100 - 140	460	860	660	140	226	300	270	14	4	Control Panel

Specifications

Burner Type	Max . Fuel Consumption		Motor kw	Pump Lit/h	Fan FlowRate m ³ /h
	Kg/h Oil	m ³ /h Gas			
MF 100-80	70	73	0.75	950	140
MF 100-100	80	83	1.1	1030	140
MF 100-120	90	94	1.5	1150	140
MF 100-140	100	104	2.2	1300	140

Capacity Curve

at 5000 ft above sea level



۰۲۱-۸۸۸۳۰۰۳۱
۰۲۱-۸۸۸۳۰۰۳۲

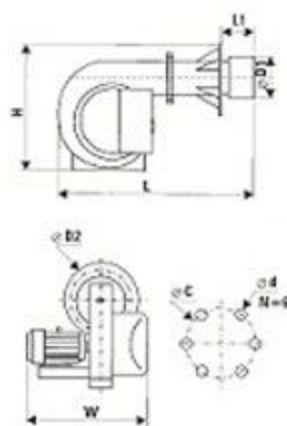
Burner Type : MF500-600-700-800



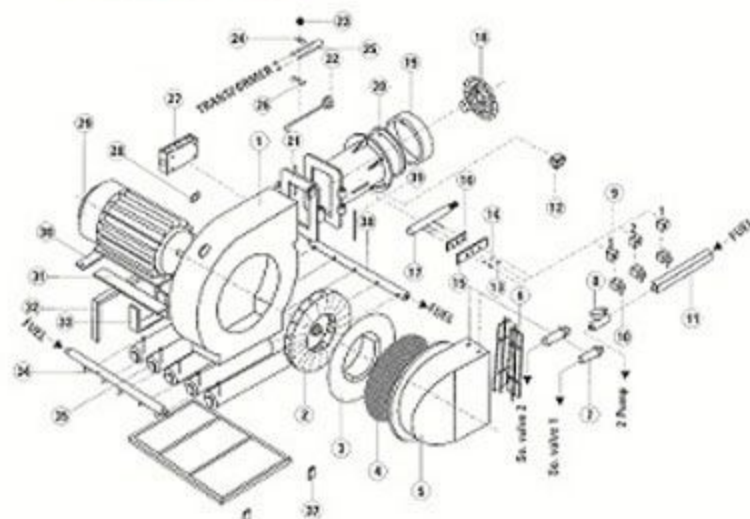
Mashal Kaveh

www.mashalkaveh.ir

Burner Dimension



Connection flange



1-Flange; 2-Airfilter; 3-Intakeplate; 4-Screen; 5-Airbox; 6-Airfilter; 7-Hydrostatical dampen; 8-Normalcyper magnetic valve; 9-Solenoid solv; 10-Normalcyper magnetic valve; 11-Valve collector; 12-ignition transformer; 13-Bolt; 14-Fix; 15-Plate; 16-Plate; 17-Nozzle rod; 18-Baffle plate; 19-Frame cap; 20-Burner tube; 21-Range; 22-Flux cap; 23-Mat; 24-Plate; 25-Ignition electrodes; 26-Ignition electrodes support; 27-Electric box; 28-Inspection pass; 29-Electric motor for air wheel; 30,31,32,33-Electric motor support; 34-Flux collector; 35-Electric harness; 36-Electric harness support; 37-Plate

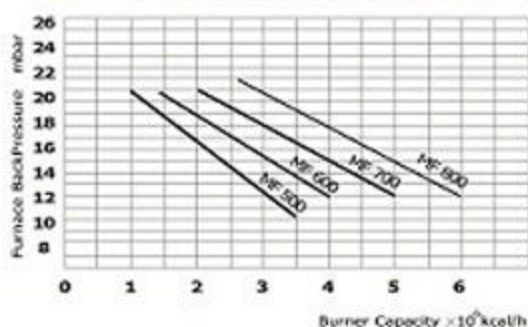
Burner Type	H mm	L mm	W mm	L1 mm	∅D1 mm	∅D2 mm	∅C mm	∅d mm	N
MFL 500 - MFG 500 - MFGL 500	1000	1620	1000	270	400	570	500	24	6
MFS 500 - MFSS 500	1180	1620	1000	270	400	570	500	24	6
MFL 600 - MFG 600 - MFGL 600	1000	1620	1000	270	400	570	500	24	6
MFS 600 - MFSS 600	1180	1620	1000	270	400	570	500	24	6
MFL 700 - MFG 700 - MFGL 700	1000	1620	1000	270	400	570	500	24	6
MFS 700 - MFSS 700	1180	1620	1000	270	400	570	500	24	6
MFL 800 - MFG 800 - MFGL 800	1050	1620	1100	270	440	650	600	24	6
MFS 800 - MFSS 800	1230	1620	1180	270	440	650	600	24	6

Specifications

Capacity Curve

at 5000 ft above sea level

Burner Type	Max. Fuel Consumption		Motor kw	Pump Lit/h	Fan FlowRate m ³ /h
	Kg/h Oil	m ³ /h Gas			
MF 500	350	365	11	5200	500
MF 600	400	420	11	6200	650
MF 700	500	525	15	8500	900
MF 800	600	630	18.5	10800	1250



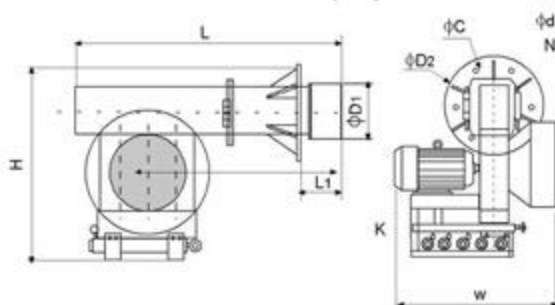
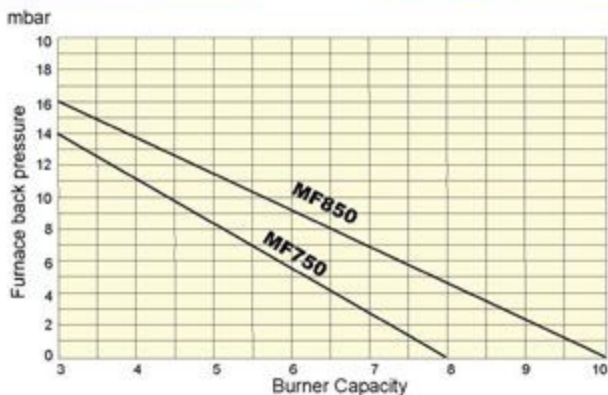
۰۲۱-۸۸۸۳۰۰۳۱
۰۲۱-۸۸۸۳۰۰۳۲

Burner Type: MF750&MF850



Burner Dimensions

Capacity Curve at 5000ft. above sea level



Burner Dimensions

مدل مشعل	H mm	L mm	W mm	L1 mm	Ø D1 mm	Ø D2 mm	Ø C mm	Ø d mm	N
MFL750	1000	1530	1050	280	465	650	600	24	6
MFG750	1000	1330	1050	280	465	650	600	24	6
MFS750	1150	1530	1050	280	465	650	600	24	6
MFGL750	1000	1530	1050	280	465	650	600	24	6
MFGS750	1150	1530	1050	280	465	650	600	24	6
MFL850	1050	1580	1050	280	465	650	600	24	6
MFG850	1050	1380	1050	280	465	650	600	24	6
MFS850	1200	1580	1050	280	465	650	600	24	6
MFGL850	1050	1580	1050	280	465	650	600	24	6
MFGS850	1200	1580	1050	280	465	650	600	24	6

Burner Type :

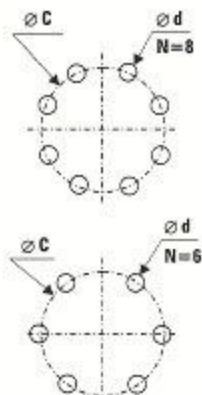
MF900-1000-1100-1200-1400



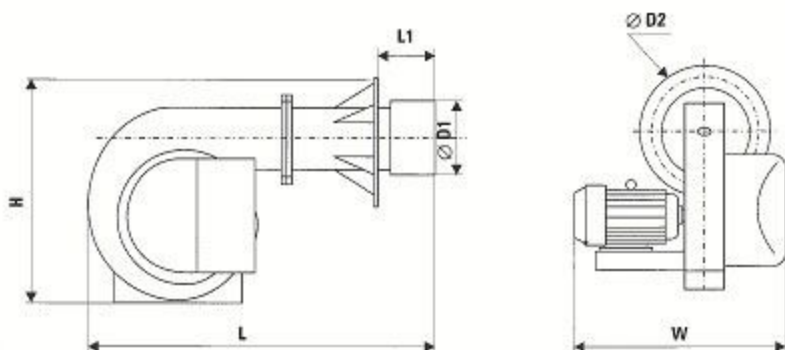
Mashal Kaveh

www.mashalkaveh.ir

Burner Dimension



Connection flange



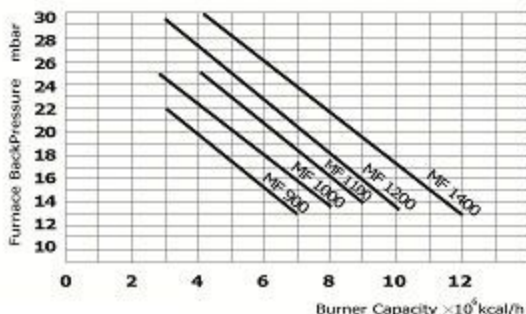
Burner Type	H mm	L mm	W mm	L1 mm	$\varnothing D1$ mm	$\varnothing D2$ mm	$\varnothing C$ mm	$\varnothing d$ mm	N
MFL 900 - MFG 900 - MFGL 900	1050	1620	1100	270	440	650	600	24	6
MFS 900 - MFGS 900	1230	1620	1100	270	440	650	600	24	6
MFL 1000 - MFG 1000 - MFGL 1000	1100	1620	1120	270	440	650	600	24	6
MFS 1000 - MFGS 1000	1300	1620	1120	270	440	650	600	24	6
MFL 1100 - MFG 1100 - MFGL 1100	1100	1620	1220	270	440	650	600	24	6
MFS 1100 - MFGS 1100	1300	1620	1220	270	440	650	600	24	6
MFL 1200 - MFG 1200 - MFGL 1200	1250	2120	1300	400	550	760	700	24	8
MFS 1200 - MFGS 1200	1450	2120	1300	400	550	760	700	24	8
MFL 1400 - MFG 1400 - MFGL 1400	1250	2120	1300	400	550	760	700	24	8
MFS 1400 - MFGS 1400	1450	2120	1300	400	550	760	700	24	8

Specifications

Burner Type	Max . Fuel Consumption		Motor kw	Pump Lit/h	Fan FlowRate m ³ /h
	Kg/h Oil	m ³ /h Gas			
MF 900	700	735	18.5	1250	12000
MF 1000	800	840	22	1250	13500
MF 1100	900	945	30	1400	15000
MF 1200	1000	1050	37	1400	16500
MF 1400	1200	1275	45	1800	18500

Capacity Curve

at 5000 ft above sea level



• ۲۱-۸۸۸۳۰۰۳۱
• ۲۱-۸۸۸۳۰۰۳۲

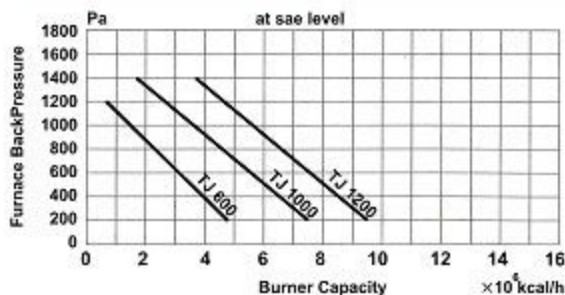
Burner Type: TJ 600 - 1000 - 1200



Specification

Burner Type	Max Capacity		Max. Fuel Consumption		Motor Kw	Fan Flow rate m ³ /h	Pump Lit/h
	Kcal/h	Btu/h	Kg/h Oil	M ³ /h Gas			
TJ 600	5,000,000	20,000,000	500	532	7.5	8500	720
TJ 1000	8,000,000	32,000,000	800	851	15	13500	1300
TJ 1200	10,000,000	40,000,000	1000	1064	18.5	16500	1500

Capacity Curve



۰۲۱-۸۸۸۳۰۰۳۱

۰۲۱-۸۸۸۳۰۰۳۲

MASHAL KAVEH

Burner Types: UD 150-1 , UD 150-2 , UD 250-1 , UD 250-2 , UD 350



1 الکتروموتور فن - Electric motor
for air wheel

2 Housing- بانه

3 Air wheel- فن

4 Intake plate- شپوری

5 Screen- توری فلزی

6 Air box- جعبه فیلتر

7 Air damper- سلفست

8 Coupling ass.- کربلنگ

9 Pump- پمپ

10 واسطه چینی - Cast iron adaptor

11 الکتروموتور پمپ - Electro motor for pump

12 پایه الکتروموتور - Electro pump support

13 هیدروسیلندر - Hydraulic air damper drive

14 ترانس جرقه - Ignition transformer

15 پایه ترانس - Ignition transformer support

16 ملاقچ چینی متحرک - Connecting flange

17 پیچ و مهره - Bolt and nut

18 کلامک چینی - Flame cup

19 لوله مشعل - Burner tube

20 چشم الکترونیکی - Flame monitor

21 درپوش مشعل - Burner cover

22 تفل فیلد - Inspection glass

23 درپوش فلزی - Pronged ring

24 مجموعه لوله نازل - Nazzle rod assy

25 اتصال - Joint

26 شعله پخش کن - Baffle plate

27 الکترود جرقه - Ignition electrodes

28 کلتکتور سوخت - Oil collector

29 اتصال - Joint

30 شیر برقی - Solenoid valve

31 اتصال - Joint

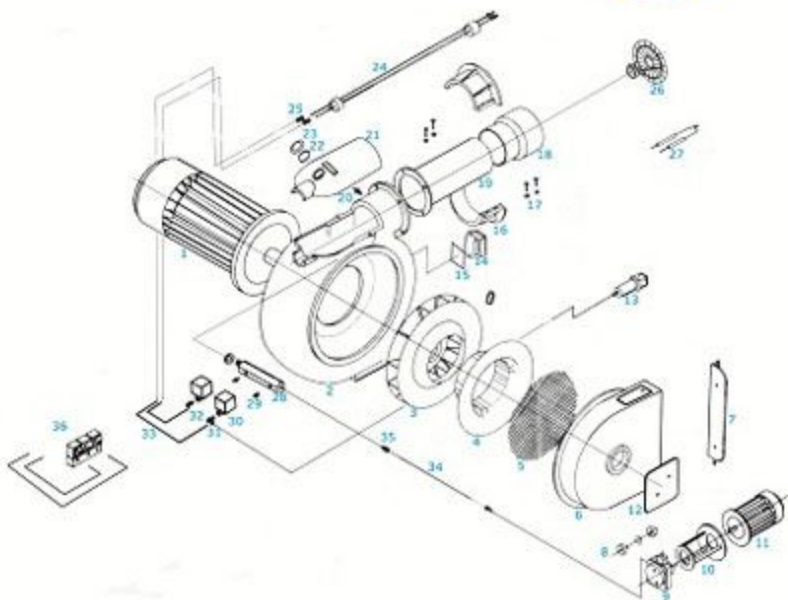
32 اتصال - Joint

33 لوله سوخت - Oil rod

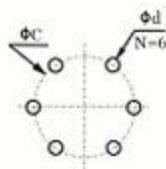
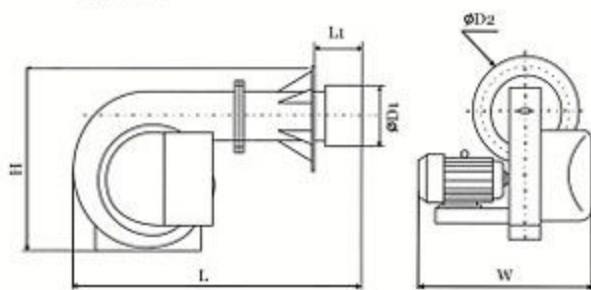
34 لوله سوخت - Oil rod

35 اتصال - Joint

36 مجموعه شیر برقی برای مشعل مدل UD150- type



for burnertype
UD250,350



Connection flange

Dimention	H	L	W	L1	ØD1	ØD2	ØC	Ød	N
Burner Type	mm	mm	mm	mm	mm	mm	mm	mm	mm
UDL 150-1	655	1160	810	120	226	310	270	16	4
UDS 150-1				310					
UDG 150-1	675	1200	810	175	250	340	310	14	6
UDGL 150-1									
UDGS 150-1									
UDL 150-2	655	1160	810	160	226	310	270	16	4
UDS 150-2				310					
UDG 150-2	675	1200	810	175	250	340	310	14	6
UDGL 150-2									
UDGS 150-2									
UDL 250-1	785	1420	870	190	260	370	325	19	4
UDS 250-1				280					
UDG 250-1	820	1450	850	200	285	440	400	16	6
UDGL 250-1			950						
UDGS 250-1									
UDL 250-2	785	1420	870	190	260	370	325	19	4
UDS 250-2				280					
UDG 250-2	820	1450	850	200	285	440	400	16	6
UDGL 250-2			950						
UDGS 250-2									
UDL 350				190					
UDS 350	885	1570	880	490	320	430	400	18	4
UDG 350									
UDGL 350	920	1570	880	170	360	500	440	18	6
UDGS 350									



۰۲۱-۸۸۸۳۰۰۳۱

۰۲۱-۸۸۸۳۰۰۳۲