



Application

- Hot water circulation and heating system
- Air-conditioning system
- Industrial circulation system
- General pressure boosting in household

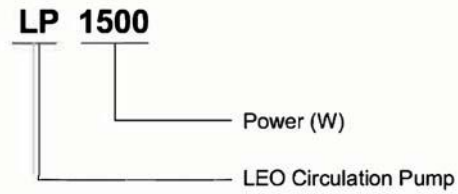
Pump

- Cast iron pump body and support under special anti-rust treatment
- AISI 304 shaft
- Liquid temperature: 2°C - 100°C

Motor

- Insulation class: B
- Protection class: IP44

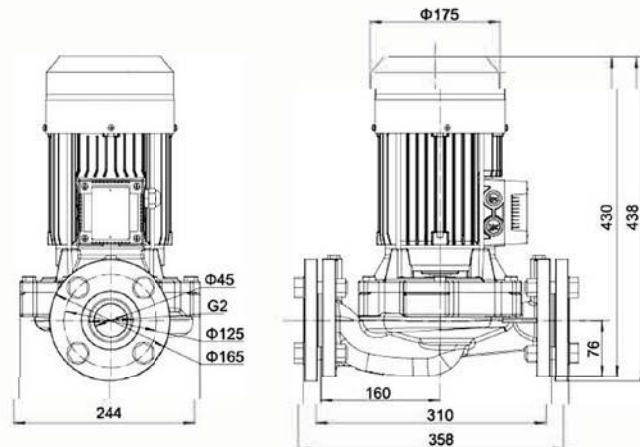
Identification Codes



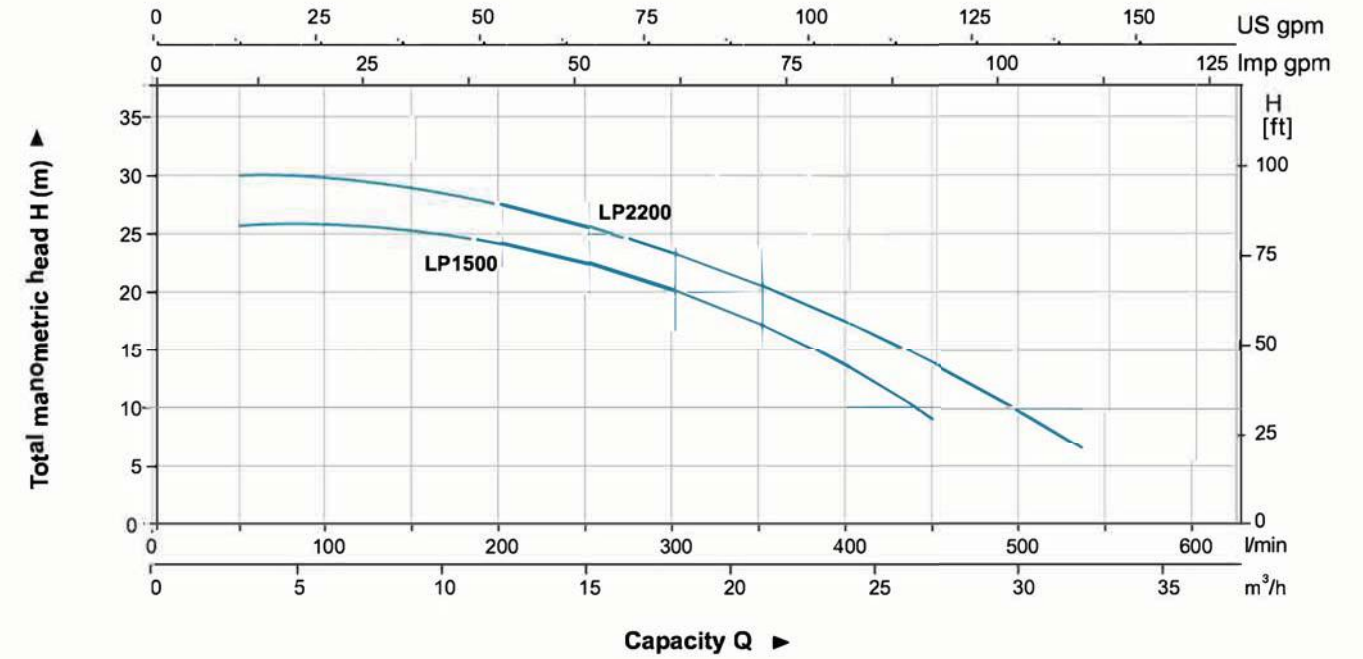
Technical Data

Model	Power		Q(m³/h)	Q(l/min)											
	kW	HP		0	6	9	12	15	18	21	24	30	32		
LP1500	1.5	2	H (m)	26	25	24	23	21	19	17	13	5	0		
LP2200	2.2	3		34	33	32	30	28	26	23	20	12	8		

Dimension

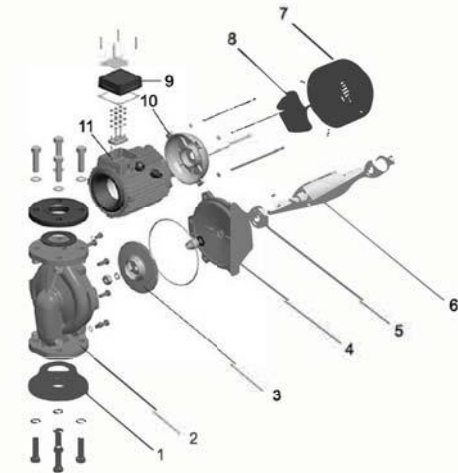


Hydraulic Performance Curves



Materials Table

No.	Part	Material
1	Flange	HT 200
2	Pump body	HT 200
3	Impeller	Brass
4	Support	HT 200
5	Bearing	
6	Rotor	
7	Fan cover	08F
8	Fan	PP
9	Terminal box	ABS
10	Rear cover	ZL102
11	Stator	



Package Information

Model	G.W (kg)	L (mm)	W (mm)	H (mm)
LP1500	37	450	325	375
LP2200	38.8	450	325	375

